



Crosstown

Modular Motion Group

1210 Crosstown leather group
1510 Crosstown fabric group

Photo above shown in 423-70 leather.

Crosstown is traditionally styled with nailhead trim on the arms. An automotive-inspired seat design adds comfort to this modular motion group. Multiple seating options are available in one leather color and one fabric color.

Creating fine upholstered furniture for more than a century, Flexsteel offers comfort and durability, backed by a lifetime warranted blue steel seat spring. Warranties include the reclining mechanism for five years; seat cushions and frame for two years.



Shown in 424-70 fabric.



Shown in 423-70 leather.

LATTITUDES
collection by Flexsteel™

Crosstown

1210 group available in 423-70 leather.

1510 group available in 424-70 fabric.



1210 / 1510-62



1210 / 1510-604



1210 / 1510-60



1210 / 1510-54



1210 / 1510-274 / -23 / -19 / -284

Overall combined group dimensions as shown 40"h x 125"w x 104"d

Dimensions

-62 Double Reclining Sofa

40"h x 87"w x 40"d

-604 Gliding Reclining Love Seat with Console

40"h x 79"w x 40"d

-60 Double Reclining Love Seat

40"h x 66"w x 40"d

-54 Glider Recliner

40"h x 43"w x 40"d

-23 Full Wedge

40"h x 68"w x 40"d

-274 LAF Reclining Love Seat

40"h x 55"w x 40"d

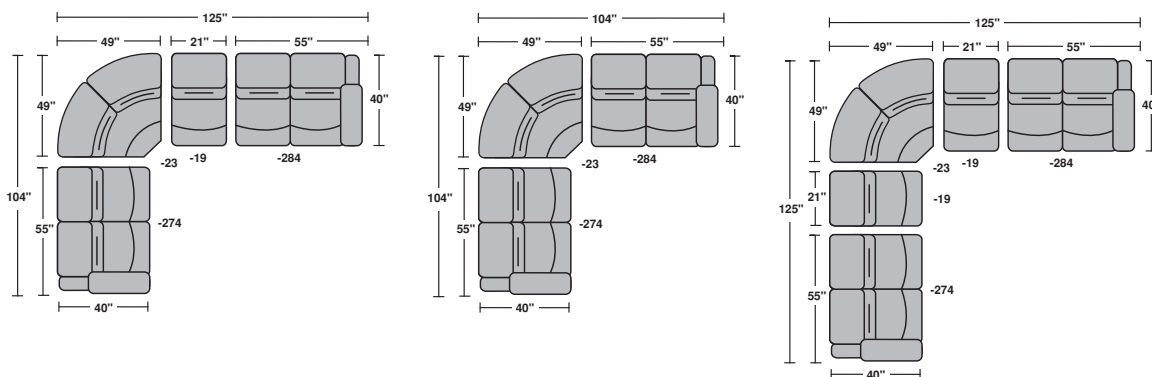
-284 RAF Reclining Love Seat

40"h x 55"w x 40"d

-19 Armless Chair

40"h x 21"w x 40"d

1210 / 1510 Group Configurations



Frame:

Two-Year Warranty

Blue Steel Seat Spring:

Lifetime Warranted

Seat Cushions:

Two-Year Warranty

Reclining Mechanism:

Five-Year Warranty



© Flexsteel Industries, Inc.
08/09 • FM10139